



**T&S BRASS AND BRONZE WORKS, INC.**  
 2 Saddleback Cove / P.O. Box 1088  
 Travelers Rest, SC 29690

Model No.  
**B-0330-LN**

Item No.

Travelers Rest, SC: 800-476-4103 • Simi Valley, CA: 800-423-0150 • Fax: 864-834-3518 • www.tsbrass.com



**ADA Compliant**

This Space for Architect/Engineer Approval

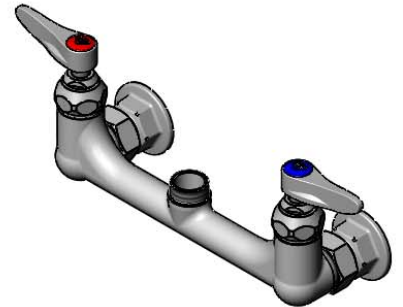
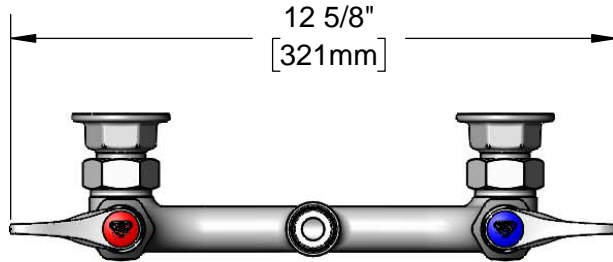
Job Name \_\_\_\_\_ Date \_\_\_\_\_

Model Specified \_\_\_\_\_ Quantity \_\_\_\_\_

Customer/Wholesaler \_\_\_\_\_

Contractor \_\_\_\_\_

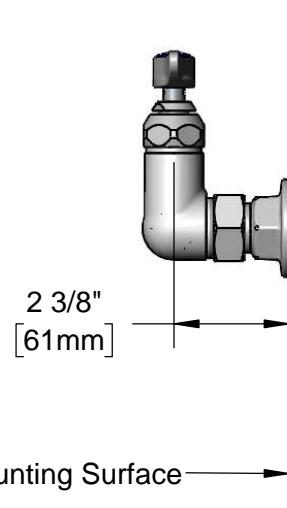
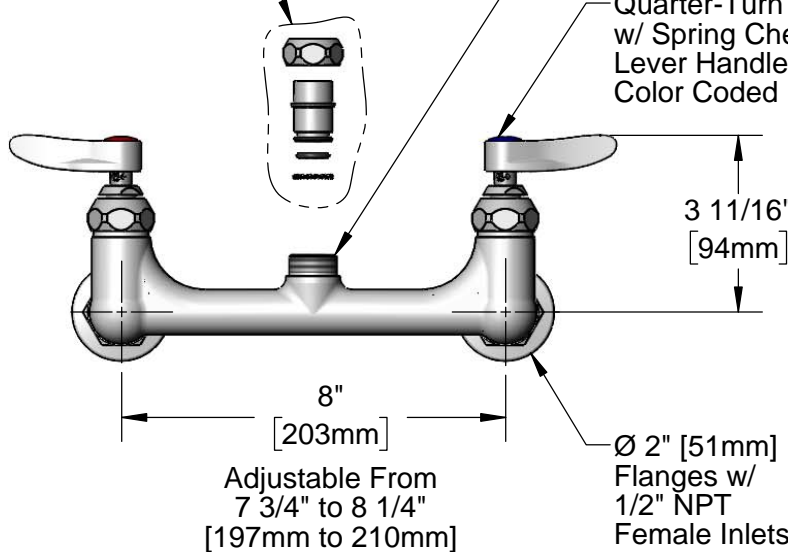
Architect/Engineer \_\_\_\_\_



**EZ-K**  
 EasyInstall Kit  
 Converts Rigid Risers &  
 Nozzles For Use with  
 Swivel Outlet (Included)

Swivel Outlet Accepts  
 Standard T&S Swing Nozzles  
 and EasyInstall Risers.

Quarter-Turn Eterna Cartridges  
 w/ Spring Checks &  
 Lever Handles w/  
 Color Coded Indexes



**Product Specifications:**

8" Wall Mount Mixing Faucet, Quarter-Turn Eterna Cartridges w/ Spring Checks, Lever Handles & 1/2" NPT Female Inlets, Less Nozzle

**Product Compliance:**

ASME A112.18.1 / CSA B125.1  
 NSF 61 - Section 9  
 NSF 372 (Low Lead Content)  
 ANSI A117.1 (ADA)



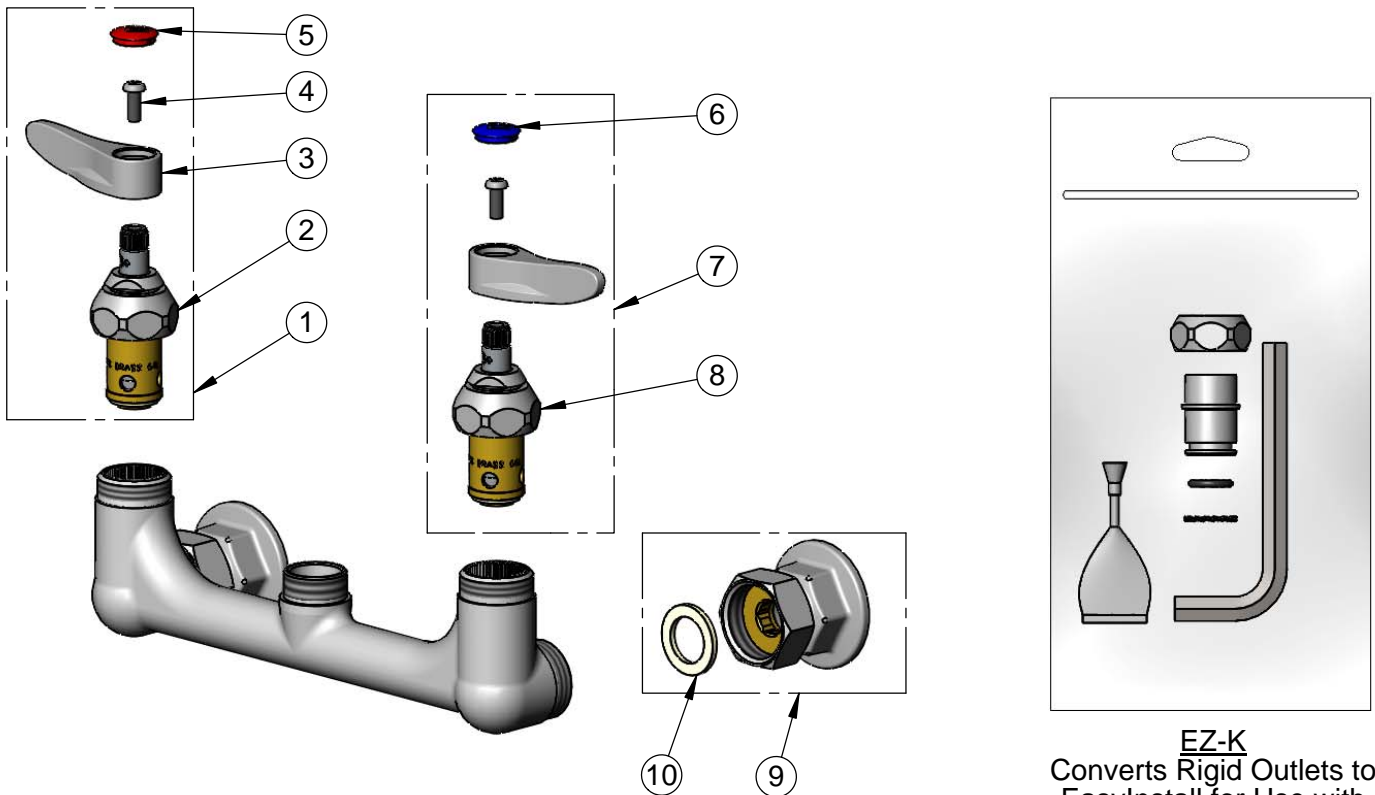
**T&S BRASS AND BRONZE WORKS, INC.**  
 2 Saddleback Cove / P.O. Box 1088  
 Travelers Rest, SC 29690

Model No.  
**B-0330-LN**

Item No.

Travelers Rest, SC: 800-476-4103 • Simi Valley, CA: 800-423-0150 • Fax: 864-834-3518 • www.tsbrass.com

ITEM NO.	SALES NO.	DESCRIPTION
1	002712-40NS	Quarter-Turn Eterna Cartridge, RTC w/ Spring Check, Handle, Red Index & Screw
2	012443-40NS	Quarter-Turn Eterna Cartridge, RTC w/ Spring Check
3	001638-45NS	Lever Handle (New Style)
4	000925-45	Lab Handle Screw
5	001193-19NS	Red Button Index, Press-in
6	018506-19NS	Blue Button Index, Press-in
7	002711-40NS	Quarter-Turn Eterna Cartridge, LTC w/ Spring Check, Handle, Blue Index & Screw
8	012442-40NS	Quarter-Turn Eterna Cartridge, LTC w/ Spring Check
9	00AA	1/2" NPT Female Eccentric Flange
10	001019-45	Coupling Nut Washer



**EZ-K**  
 Converts Rigid Outlets to EasyInstall for Use with T&S Swivel Base Faucets

**Product Specifications:**

8" Wall Mount Mixing Faucet, Quarter-Turn Eterna Cartridges w/ Spring Checks, Lever Handles & 1/2" NPT Female Inlets, Less Nozzle

**Product Compliance:**

ASME A112.18.1 / CSA B125.1  
 NSF 61 - Section 9  
 NSF 372 (Low Lead Content)  
 ANSI A117.1 (ADA)